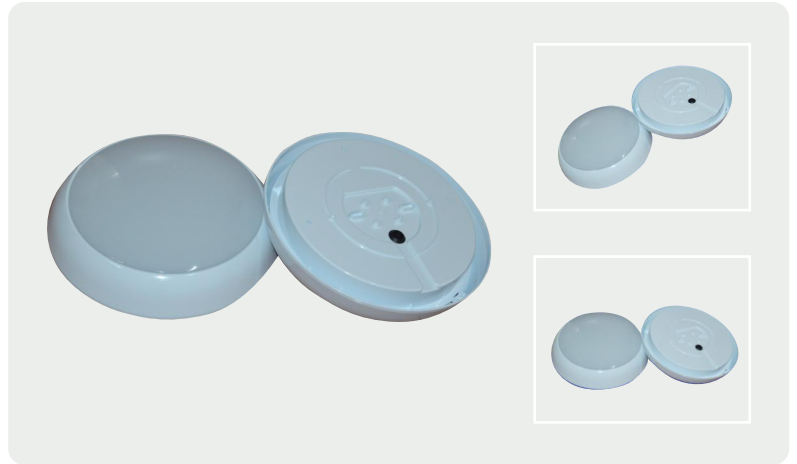


INDUSTRIAL / Ceiling Lighting

LED Ceiling Light

WHY-CS113 Series

A slim IP54-rated LED ceiling luminaire covering 15W to 30W, featuring a PC material base with gold-wire 2835 LED chips and a high-transmittance PC diffuser ($\geq 90\%$). LEFORD/Beko certified driver, CRI > 80 colour rendering, and a simple sealed construction make it suited to bathrooms, kitchens, corridors, cold storage, and other humid or dusty environments.



15W

20W

30W

KEY FEATURES



PC Material Base

Polycarbonate base provides good thermal conductivity and excellent corrosion resistance for long-term durability in demanding environments



IP54 Dust & Water Protection

IP54-rated sealing provides reliable dustproof and waterproof protection, suitable for bathrooms, corridors, kitchens, and light industrial spaces.



LEFORD/Beko Certified Driver

LEFORD or Beko isolation-certified power supply provides dual-layer protection for extended fixture service life and reliable operation.



High-Transmittance PC Diffuser ($\geq 90\%$)

Light-diffusing PC lampshade achieves over 90% light transmittance, delivering even, soft illumination with superior light output efficiency.



Gold-Wire 2835 LED Chips

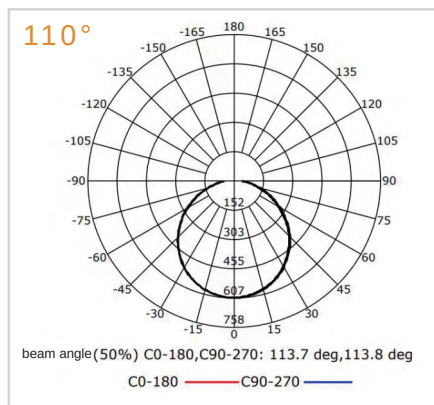
High-brightness 2835 LED chips with gold-wire copper bracket bonding deliver stable, long-life performance with low lumen decay.



110° Beam Angle

Wide 110° beam distribution ensures broad, uniform ceiling illumination with minimal dark spots across all room configurations.

BEAM DISTRIBUTION



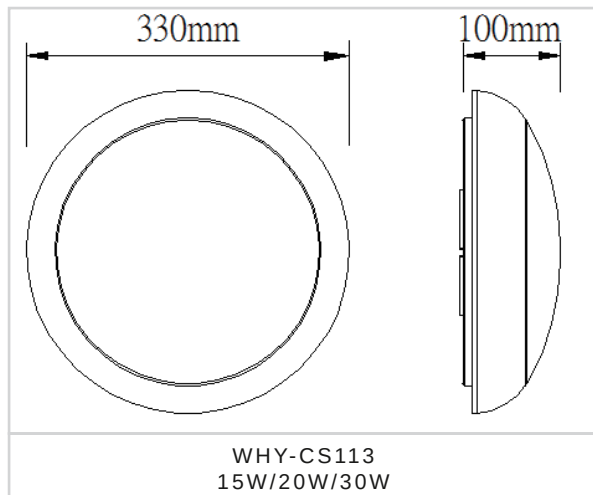
MODEL VARIANTS

Mode	Wattage	Luminous Efficacy	Size
WHY-CS113-15W	15W	98lm/W	330*100mm
WHY-CS113-20W	20W	99lm/W	330*100mm
WHY-CS113-30W	30W	92lm/W	330*100mm

TECHNICAL SPECIFICATIONS

CCT	3000K/4000K/5000K/6000K/6500K
CRI	CRI>80
Input Voltage	220~240V
LED lifespan	≥50000Hours
Power Factor	>0.5 / >0.9
Operating Temperature	-20℃ ~ +50℃ , 10%~90%RH
IP Level	IP66

DIMENSION (MM)



APPLICATION PLACES

