

INDUSTRIAL / Street Light

# LED Street Light

WHY-SL40 Series

A high-efficiency LED street light covering 40W to 200W. Its ultra-thin die-cast ADC12 aluminium housing features independently sealed dual compartments for driver and light source, IP66 + IK08 dual protection, and a TM21-certified 50,000-hour lifespan. A +15° adjustable bracket, snap-lock tool-free maintenance, and 150-170LM/W efficacy make it a practical, low-lifecycle-cost solution for a wide range of outdoor lighting applications.



## KEY FEATURES



### Ultra-Thin Optical Design

The low-profile housing avoids light obstruction, preserving full lens output efficiency for broad, uniform road illumination.



### Dual-Compartment Architecture

Driver and light source are independently sealed in separate compartments, reducing fault risk and ensuring safer, more efficient operation.



### IP66 + IK08 Dual Protection

Dual-sealed with precision lens and toughened glass, rated IP66 for dust and water ingress and IK08 for mechanical impact resistance in harsh outdoor conditions.



### High-Efficiency Performance

Premium LEDs and drivers achieve 150-170LM/W luminous efficacy, delivering sustained energy savings across the product's operational life.



### Easy to install+ Longlifespan

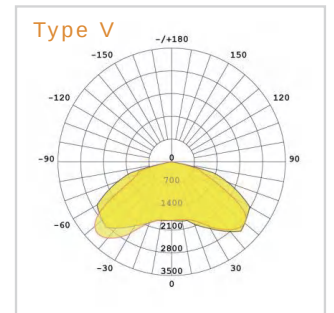
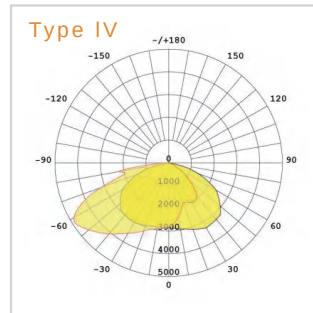
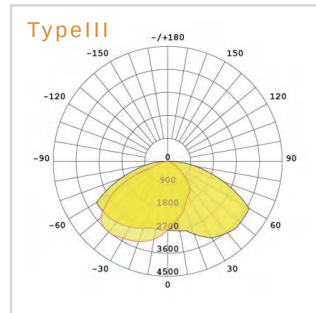
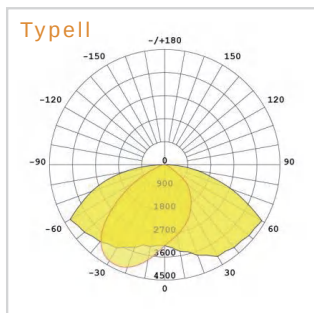
Adjustable bracket supports varied installation angles. TM21-certified for a rated lifespan exceeding 50,000 hours of stable, reliable output.



### Maintenance-free

Snap-lock structure enables tool-free servicing. Aerodynamic curved housing resists dust accumulation with a passive self-cleaning effect.

## BEAM DISTRIBUTION



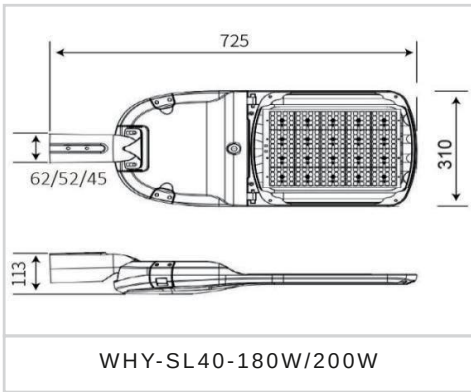
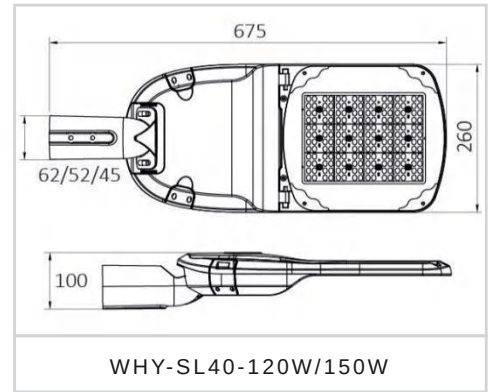
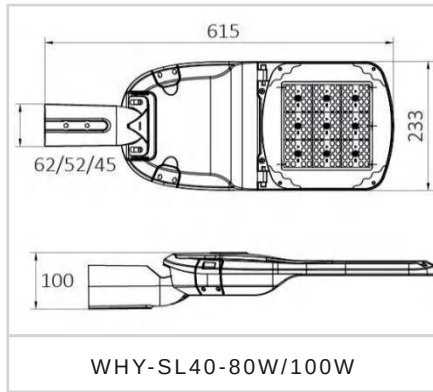
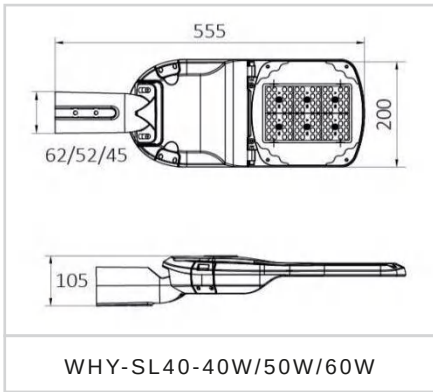
MODEL VARIANTS

Mode	Wattage	Luminous Efficacy	Size
WHY-SL40-40W	40W	150lm/W	555*200*105mm
WHY-SL40-50W	50W	150lm/W	555*200*105mm
WHY-SL40-60W	60W	150lm/W	555*200*105mm
WHY-SL40-80W	80W	150lm/W	615*233*100mm
WHY-SL40-100W	100W	150lm/W	615*233*100mm
WHY-SL40-120W	120W	150lm/W	675*260*100mm
WHY-SL40-150W	150W	150lm/W	675*260*100mm
WHY-SL40-180W	180W	150lm/W	725*310*113mm
WHY-SL40-200W	200W	150lm/W	725*310*113mm

TECHNICAL SPECIFICATIONS

CCT	3000K/4000K/5000K/5700K/6500K
CRI	Ra ≥ 70
PF	> 0.9
Input Voltage	100-277VAC
Housing Color	Light grey
Housing Material	Aluminum(ADC12), lens+temper glass
Lens	TypeII /TypeIII /TypeIV /TypeV
Operating Temperature	-30°C to +45°C
IP Level	IP66
Lifespan	50,000 hours
Warranty	5years

DIMENSION (MM)



APPLICATION PLACES

- Street
- Road
- Stadium
- Highway
- Bridge
- Sport yard
- Parking