

INDUSTRIAL / Canopy Light

LED Canopy Light

WHY-CL3 Series

A high-performance LED canopy luminaire engineered for demanding outdoor and commercial environments. Its die-cast ADC12 aluminium housing with IP65-rated silicone sealing delivers 130LM/W efficacy across five configurations from 25W to 75W. UL certified with a 100,000-hour rated lifespan, the WHY-CL3 is built for reliable, low-maintenance operation across a wide range of applications.



KEY FEATURES



Universal Voltage Compatibility

Accepts 100-277 VAC at 50/60Hz with no installation restrictions, suitable for global deployment across diverse power supply environments.



Stable, Flicker-Free Driver

Premium 3030 LED chips paired with a high power factor (> 0.9), low-THD driver ensure consistent, flicker-free output for a comfortable visual environment.



UL-Certified, Modular Design

Modular construction simplifies maintenance and reduces servicing costs. UL certified and backed by a 5-year warranty across all power configurations.



High-Efficiency Performance

130LM/W system efficacy with stable, lumen-maintenance output - delivering long-term energy savings without brightness degradation.



Durable Weather-Resistant Housing

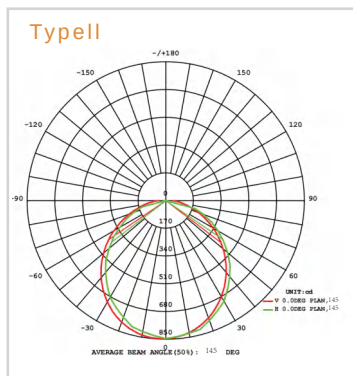
Die-cast ADC12 aluminium with PC cover and powder coating provides corrosion resistance, colour stability, and robust performance in demanding outdoor conditions.



Moisture-Proof Sealing

Silicone rubber gasket sealing offers effective protection against moisture and high-temperature exposure, suited to harsh operational environments.

BEAM DISTRIBUTION



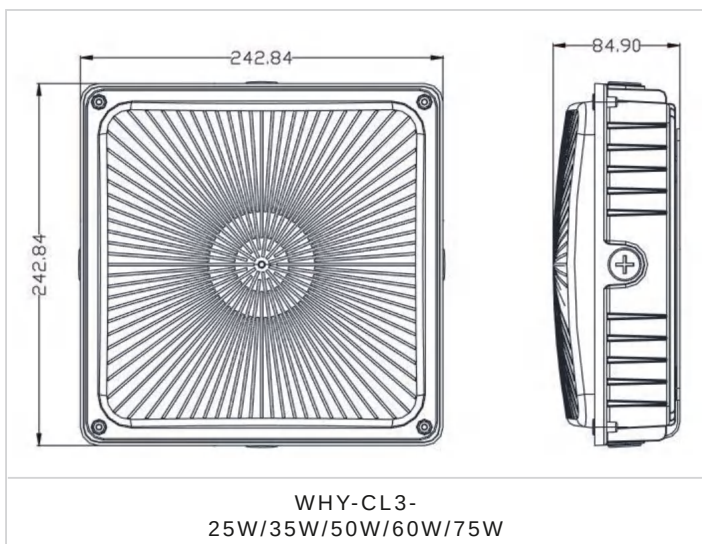
MODEL VARIANTS

Mode	Wattage	Luminous Efficacy	Size
WHY-CL3-25W	25W	130lm/W	243*243*85mm
WHY-CL3-35W	35W	130lm/W	243*243*85mm
WHY-CL3-50W	50W	130lm/W	243*243*85mm
WHY-CL3-60W	60W	130lm/W	243*243*85mm
WHY-CL3-75W	75W	130lm/W	243*243*85mm

TECHNICAL SPECIFICATIONS

CCT	3000K/4000K/5000K/5700K/6500K
CRI	Ra≥70 (Ra≥80 optional)
Input Voltage	100-277 VAC
Housing Color	Brown
Housing Material	Aluminum(ADC12), PC
Operating Temperature	-35°C to +55°C
IP Level	IP65
Lifespan	100,000 hours
Warranty	5 years

DIMENSION (MM)



APPLICATION PLACES

- Auto dealership
- Corporate
- Office
- education
- Government
- Healthcare
- Industrial
- Warehouse
- Municipal
- Parking
- Petroleum
- Convenience stores
- Recreation
- Public venues
- Restaurants
- Hospitality
- Retail
- Grocery