

INDUSTRIAL / Street Light

LED Street Light

WHY-SL49 Series

A high-performance LED street light designed for demanding outdoor infrastructure applications. Built on a die-cast aluminium (ADC12) chassis with a polycarbonate lens, it delivers 150 lm/W efficacy across a power range of 50W to 300W. IP66-rated and operational from -30°C to +45°C the WHY-SL49 is engineered for long-term reliability with minimal maintenance.



KEY FEATURES



Die-cast aluminum + PC lens

The high-strength die-cast aluminium housing paired with a PC lens is sturdy and durable, with excellent light transmittance



Flexible Optical Solutions

Supports full customisation across TypeI to TypeV lens distributions, accommodating a wide range of road geometries and lighting requirements.



Industry-Leading Warranty

Backed by a 5 year warranty. Suitable for street lighting, carpark lighting, and high-bay applications.



Advanced Thermal Management

Precision surface treatment combined with an optimised heat dissipation structure maintains junction temperature below 70°C ensuring long-term stability.



Versatile Installation

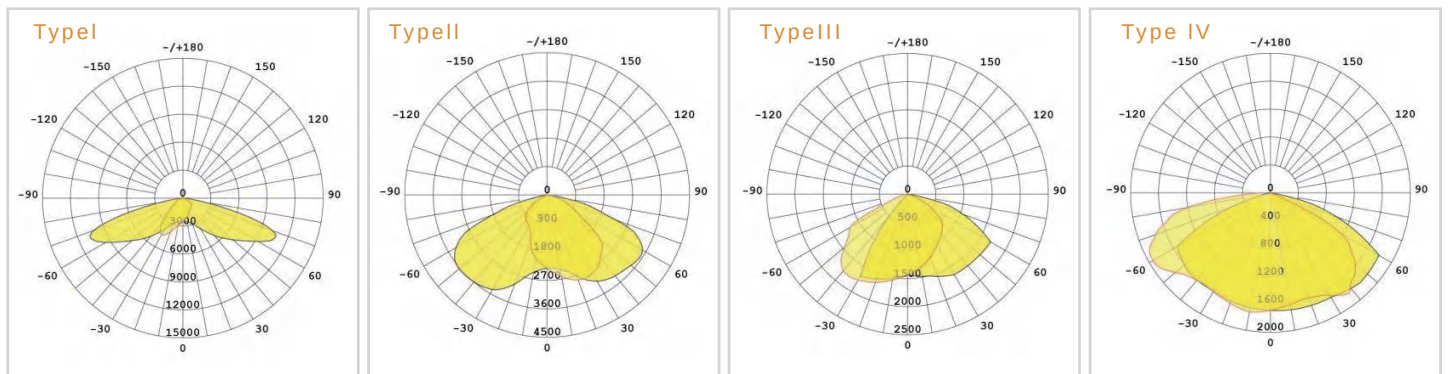
Compatible with multiple mounting configurations, making it straightforward to adapt to different pole types and site conditions.

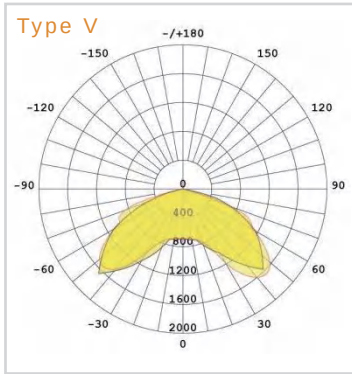


Intelligent Dimming

Supports photoelectric switching and stepless dimming, enabling smart energy management and automated control.

BEAM DISTRIBUTION





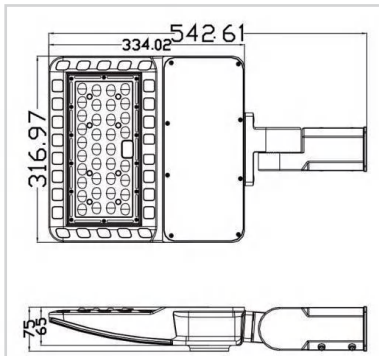
MODEL VARIANTS

Mode	Wattage	Luminous Efficacy	Size
WHY-SL49-50W	50W	150lm/W	543*317*75mm
WHY-SL49-80W	80W	150lm/W	543*317*75mm
WHY-SL49-100W	100W	150lm/W	543*317*75mm
WHY-SL49-120W	120W	150lm/W	543*317*75mm
WHY-SL48-150W	150W	150lm/W	543*317*75mm
WHY-SL48-200W	200W	150lm/W	663*317*75mm
WHY-SL48-240W	240W	150lm/W	785*317*84mm
WHY-SL48-300W	300W	150lm/W	785*317*84mm

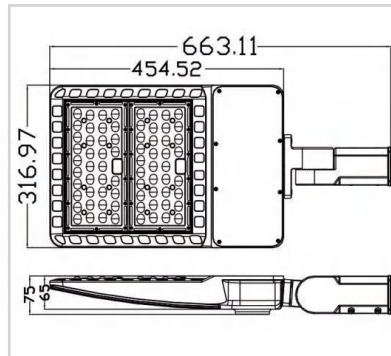
TECHNICAL SPECIFICATIONS

CCT	3000K/4000K/5000K/5700K/6500K
CRI	Ra ≥ 70
Input Voltage	100-277VAC
Housing Color	Dark bronze/Black/White
Housing Material	Aluminum(ADC12), lens
Lens	TypeI /TypeII /TypeIII /TypeIV
Operating Temperature	-30°C to +45°C
IP Level	IP66
Lifespan	50,000 hours
Warranty	7 or 5years

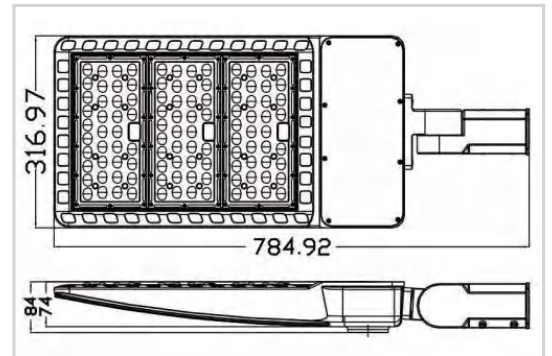
DIMENSION (MM)



WHY-SL49
50W/80W/100W/120W/150W



WHY-SL49
180W/200W



WHY-SL49
240W/300W

APPLICATION PLACES

- Street
- Road
- Stadium
- Highway
- Bridge
- Sport yard
- Parking