

INDUSTRIAL / Wall Pack Light

# LED Wall Pack Light

WHY-WP9 Series

A robust LED wall pack luminaire delivering 130lm/W efficacy across six configurations from 20W to 120W. Its sand-blasted ADC12 aluminium housing with IP65-rated silicone sealing and a 50,000-hour rated lifespan makes it well suited to demanding outdoor and commercial building-mounted applications.



## KEY FEATURES



### Universal Voltage Compatibility

Accepts 100-277 VAC at 50/60Hz with no installation restrictions for global deployment.



### Stable, Flicker-Free Driver

High power factor (> 0.9) and low-THD driver delivers consistent, flicker-free output.



### 5-Year Warranty

Backed by a comprehensive 5-year warranty across all power configurations.



### High-Efficiency Output

130LM/W High-Efficiency Output Achieves 130 lm/W system efficacy for significant long-term energy savings.



### Die-Cast Aluminium Housing

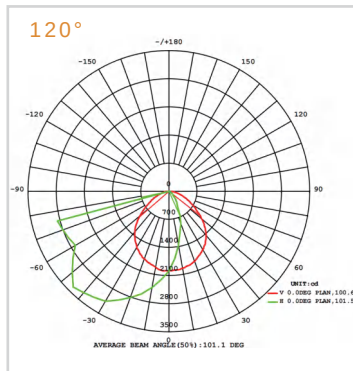
Sand-blasted ADC12 aluminium provides anti-static, high-temperature, and corrosion-resistant performance for outdoor durability.



### Moisture-Proof Silicone Sealing

Silicone gasket sealing prevents moisture and water ingress, extending fixture service life.

## BEAM DISTRIBUTION



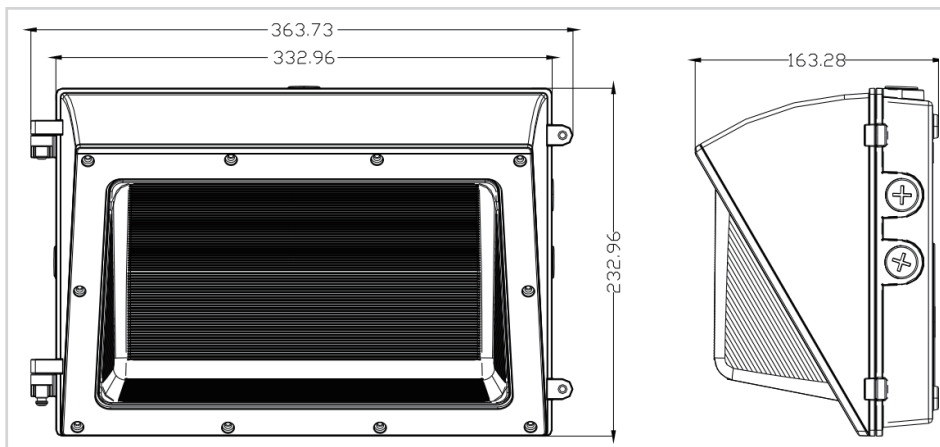
MODEL VARIANTS

Mode	Wattage	Luminous Efficacy	Size
WHY-WP9-20W	20W	130lm/W	364*233*163mm
WHY-WP9-30W	30W	130lm/W	364*233*163mm
WHY-WP9-50W	50W	130lm/W	364*233*163mm
WHY-WP9-75W	75W	130lm/W	364*233*163mm
WHY-WP9-100W	100W	130lm/W	364*233*163mm
WHY-WP9-120W	100W	130lm/W	364*233*163mm

TECHNICAL SPECIFICATIONS

CCT	3000K/4000K/5000K/5700K/6500K
CRI	Ra≥70 (Ra≥80 optional)
Input Voltage	100-277 VAC
Housing Color	Brown
Housing Material	Aluminum(ADC12), PC
Operating Temperature	-35°C to +55°C
IP Level	IP65
Lifespan	50,000 hours
Warranty	5 years

DIMENSION (MM)



APPLICATION PLACES

---

Airport

Schools

Hotels

Exhibition

Residence