

INDUSTRIAL / Yard Lighting

LED Yard Light

WHY-6107 Series Post-top / Hat-shade

A slim post-top LED yard luminaire with a die-cast aluminium housing and rotatable aluminium shade, fitted with an optical-grade PMMA diffuser and a fully sealed housing. It uses professional secondary light distribution and a standard NEMA socket, is CE certified and rated IP65, making it well suited to courtyards, villas, parks and outdoor landscape lighting.



KEY FEATURES



Optical-grade PMMA diffuser

Professional optical-acrylic diffuser delivers uniform, soft transmission with high resistance to yellowing and ageing, staying clear after prolonged outdoor use.



Dual distribution & diffusion

A double-layer optical diffusion structure spreads intense light and softens shadows, producing comfortable, low-glare illumination.



Die-cast aluminium body

The die-cast aluminium housing pairs with a rotatable shade for strong heat dissipation and flexible adjustment of the installed aiming angle.



Standard NEMA socket

An industry-standard NEMA interface allows pairing with a wide range of poles and simplifies installation, servicing and control-node replacement.



Fully sealed cavity

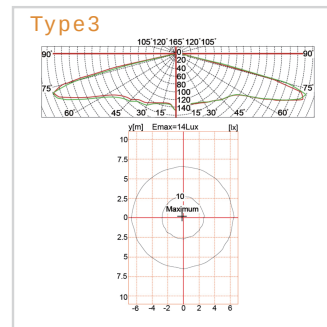
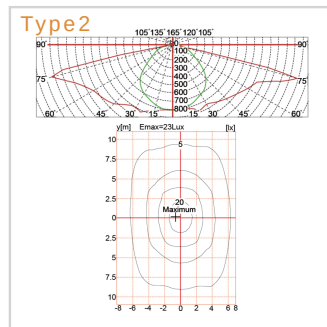
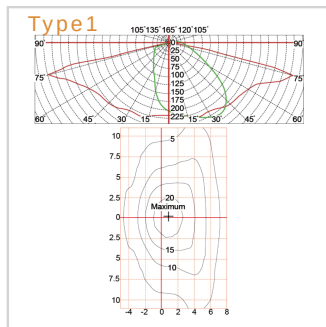
The integrated sealed body keeps out dust and water and withstands rain, snow and dust for reliable service in demanding outdoor settings.



IP65 dust & water protection

IP65 ingress protection ensures dependable operation in rainy, snowy, humid and dusty environments.

BEAM DISTRIBUTION



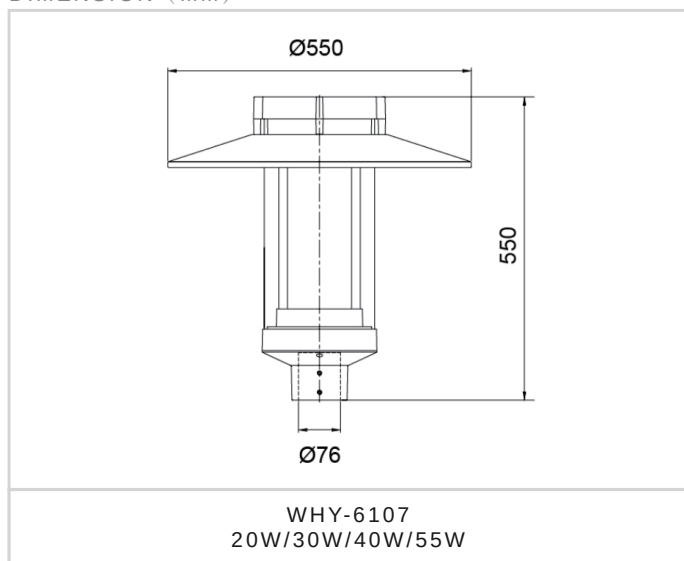
MODEL VARIANTS

Mode	Wattage	Luminous Efficacy	Size
WHY-6107-20W	20W	110lm/W	550*550*76mm
WHY-6107-30W	30W	110lm/W	550*550*76mm
WHY-6107-40W	40W	110lm/W	550*550*76mm
WHY-6107-55W	55W	110lm/W	550*550*76mm

TECHNICAL SPECIFICATIONS

CCT	3000-6000K
CRI	CRI \geq 70
LED Quantity	12/16/20/24
Diffuser	Optical-grade PMMA
Control Interface	Standard NEMA socket
Housing Material	Die-cast aluminum
Ingress Protection	IP65
Rated Lifespan	L70 \geq 50,000 h
Warranty	5 years

DIMENSION (MM)



APPLICATION PLACES

Garden

Courtyard

Landscape

Car park

Park

villa