

INDUSTRIAL / OUTDOOR

# LED Flood Light

WHY-FL41 Series

A high-power modular LED floodlight designed for large-scale industrial and sports applications, covering 500W to 2000W at 150 LM/W. Its IP66 + IK08-rated sand-blasted aluminium housing, kit-style modular assembly, multi-axis rotation bracket, and selectable beam angles from 30° to 120° make it well suited to football pitches, stadiums, industrial sites, and port infrastructure.



500W

1000W

1500W

2000W

## KEY FEATURES



### High-Strength Sand-Blasted

Aluminium Housing Anti-static and anti-corrosion surface treatment on the die-cast aluminium shell ensures weather resistance and long-term durability in outdoor conditions.



### Anti-glare optical lens

Modular combination and splicing design, kit-style assembly, making installation more worry-free and maintenance convenient.



### IP66 + IK08 Dual Protection

Full IP66 dust and water ingress protection combined with IK08 mechanical impact resistance for reliable operation in harsh outdoor environments.



### Multi-Axis Rotation Bracket

Rotatable mounting bracket supports angle adjustment across multiple axes, accommodating varied aiming requirements for sports and flood lighting.



### Selectable Beam Angles

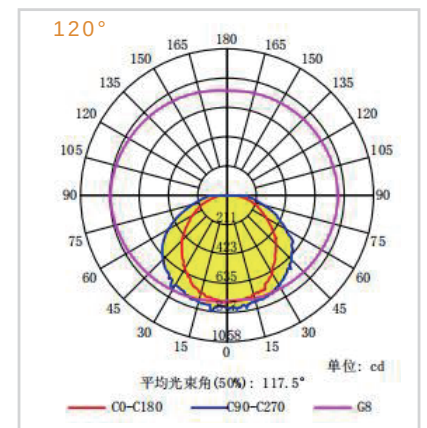
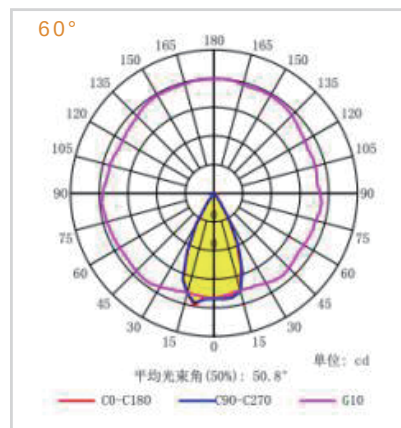
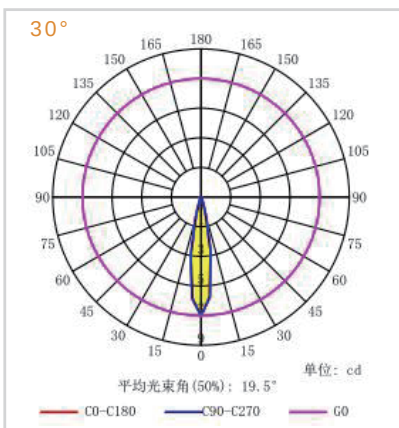
30°, 60°, and 120° lens options enable precise photometric configuration to suit different coverage areas, mounting heights, and application types.



### 5-Year Warranty

Comprehensive 5-year product warranty across all power configurations.

## BEAM DISTRIBUTION



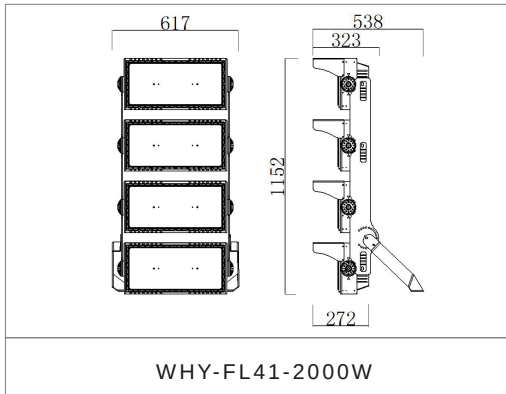
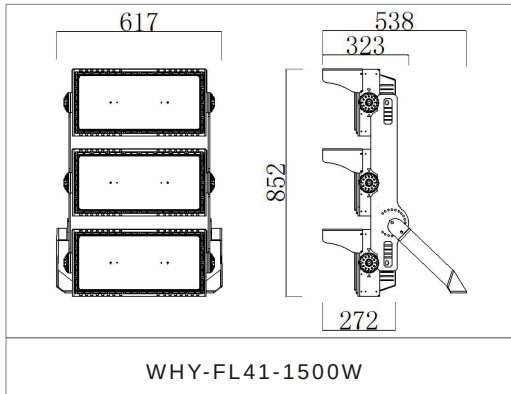
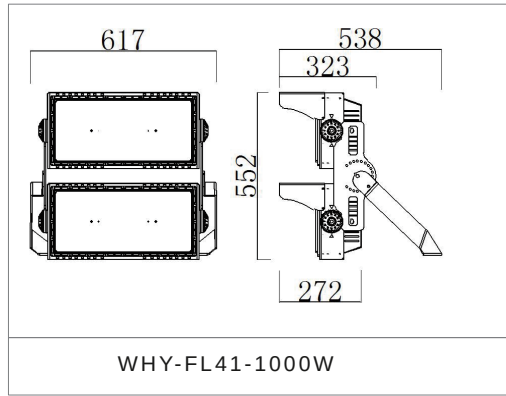
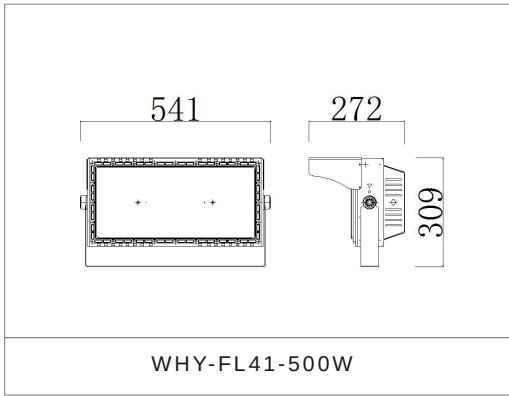
## MODEL VARIANTS

Mode	Wattage	Luminous Efficacy	Size
WHY-FL41-500W	500W	150lm/W	541*309*272mm
WHY-FL41-1000W	1000W	150lm/W	617*552*538mm
WHY-FL41-1500W	1500W	150lm/W	617*852*538mm
WHY-FL41-2000W	2000W	150lm/W	617*1152*538mm

## TECHNICAL SPECIFICATIONS

CCT	2700-6500K
CRI	70/80
Input Voltage	100-277 VAC
Housing Color	Black
Housing Material	Aluminum
Lens	30°/60°/120°
Operating Temperature	-35°C to +55°C
IP Level	IP66
Lifespan	60,000 hours
Warranty	5years

DIMENSION (MM)



APPLICATION PLACES

- Architecture
- Football field
- Industrial area
- Gym
- Garden
- Sea port
- Factory