

INDUSTRIAL / OUTDOOR

LED Flood Light

WHY-FL52 Series

A high-efficacy LED floodlight covering 30W to 600W, delivering 160-170LM/W from a compact ADC12 aluminium housing with IP66 protection. Eight interchangeable lenses across narrow, asymmetric, and flood distributions, a telescopic mounting bracket, and a precision 1 W-per-module cost structure make it a versatile, high-performance solution for architecture, industrial facilities, and large outdoor areas.



KEY FEATURES



160-170 LM/W High Efficacy

The highest efficacy rating in the WHY floodlight range, achieving 160LM/W standard and 170LM/W at 120°, optimised for high-specification projects.



Modular 1W-per-Module Design

Close-to-1-W-per-module precision cost structure enables accurate power and cost control with a high cost-performance ratio.



Wide Power Coverage

Twelve configurations from 30W to 600W allow flexible matching to lighting requirements across small and large-scale projects.



Ergonomic Bracket System

Streamlined bracket design simplifies fixture handling, positioning, and installation, improving overall construction site efficiency.



Eight Interchangeable Lenses

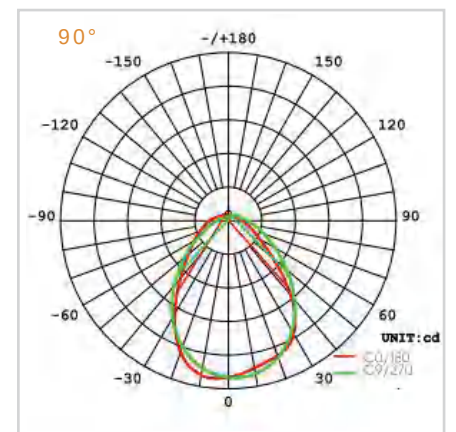
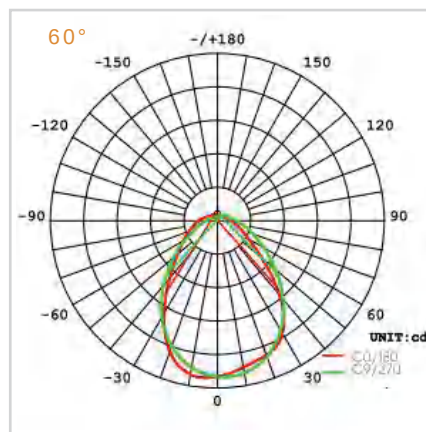
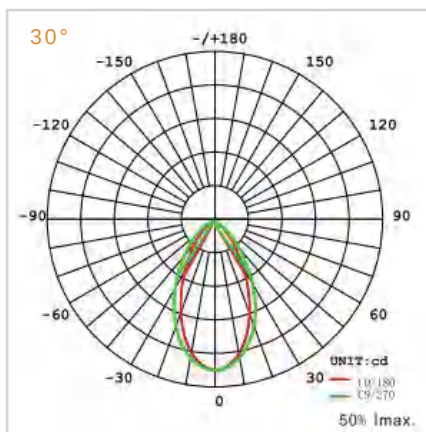
Covers narrow beam, asymmetric, and flood distributions across eight lens configurations, enabling precise photometric design for diverse applications.

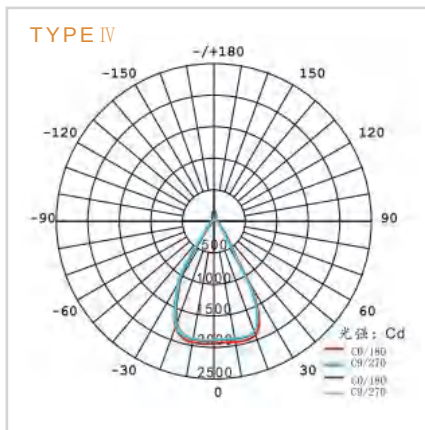
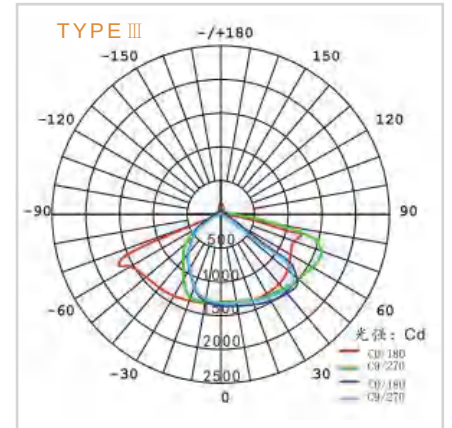
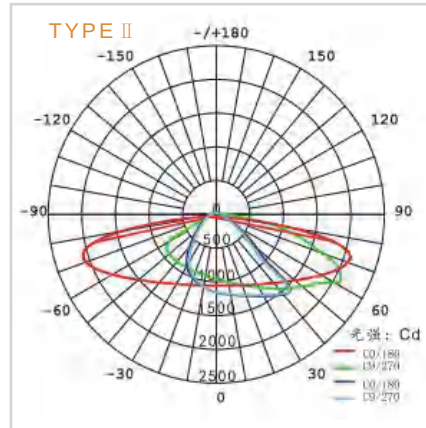
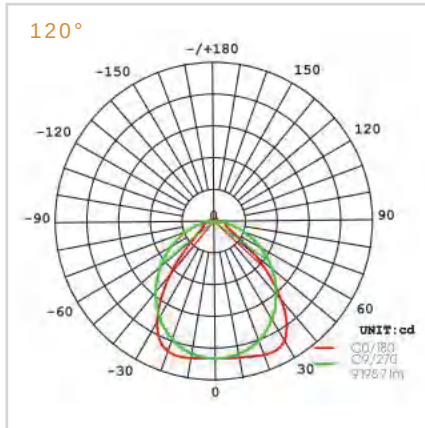


Telescopic Adjustable Bracket

Telescopic mounting bracket provides precise angular positioning and flexible light distribution, adapting to varied pole heights and installation geometries.

BEAM DISTRIBUTION





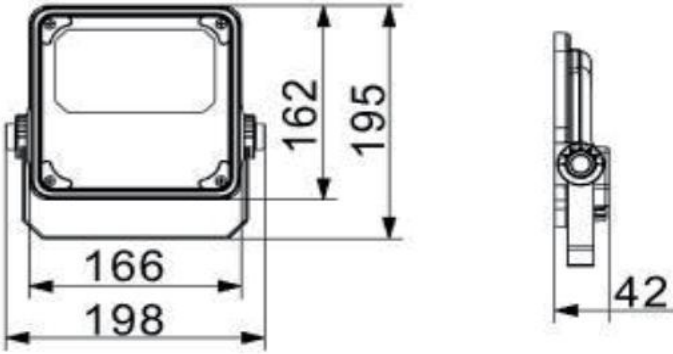
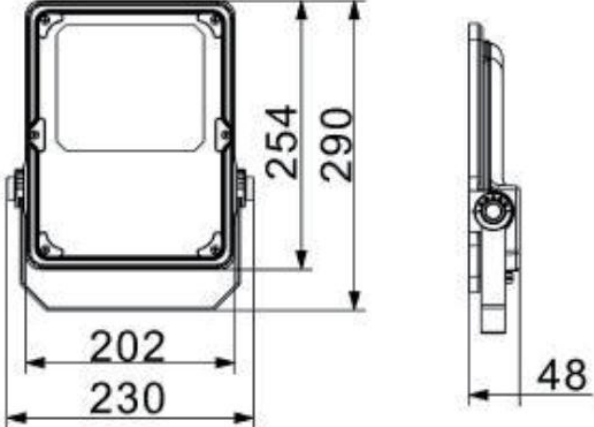
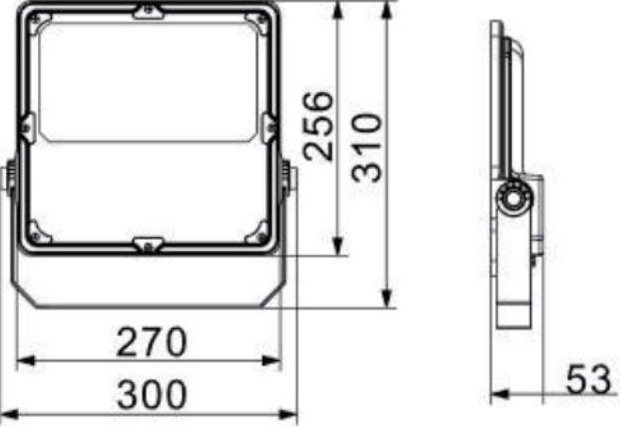
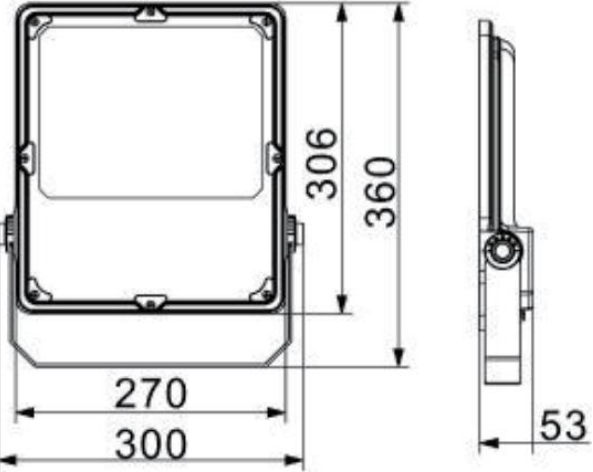
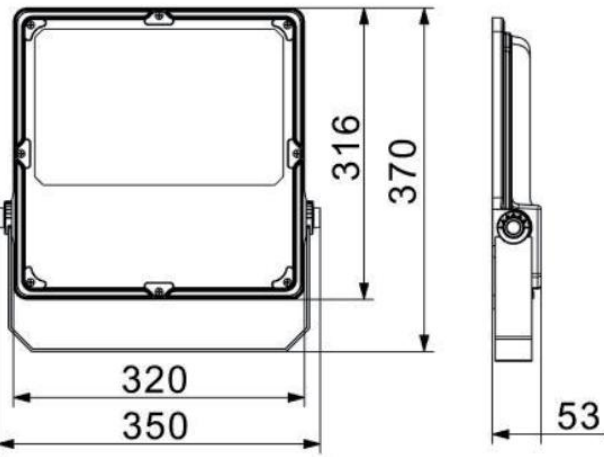
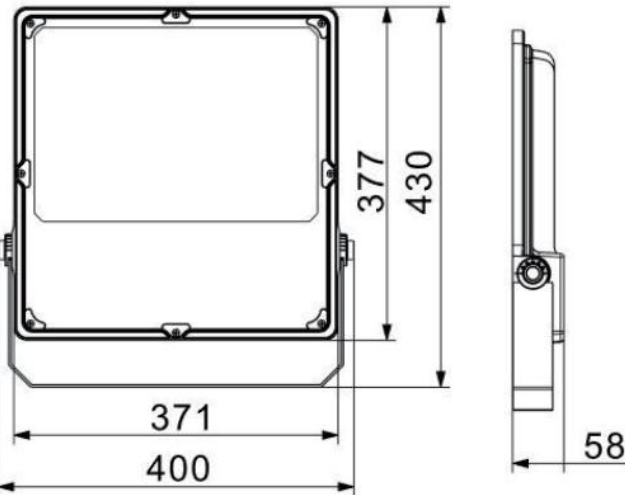
MODEL VARIANTS

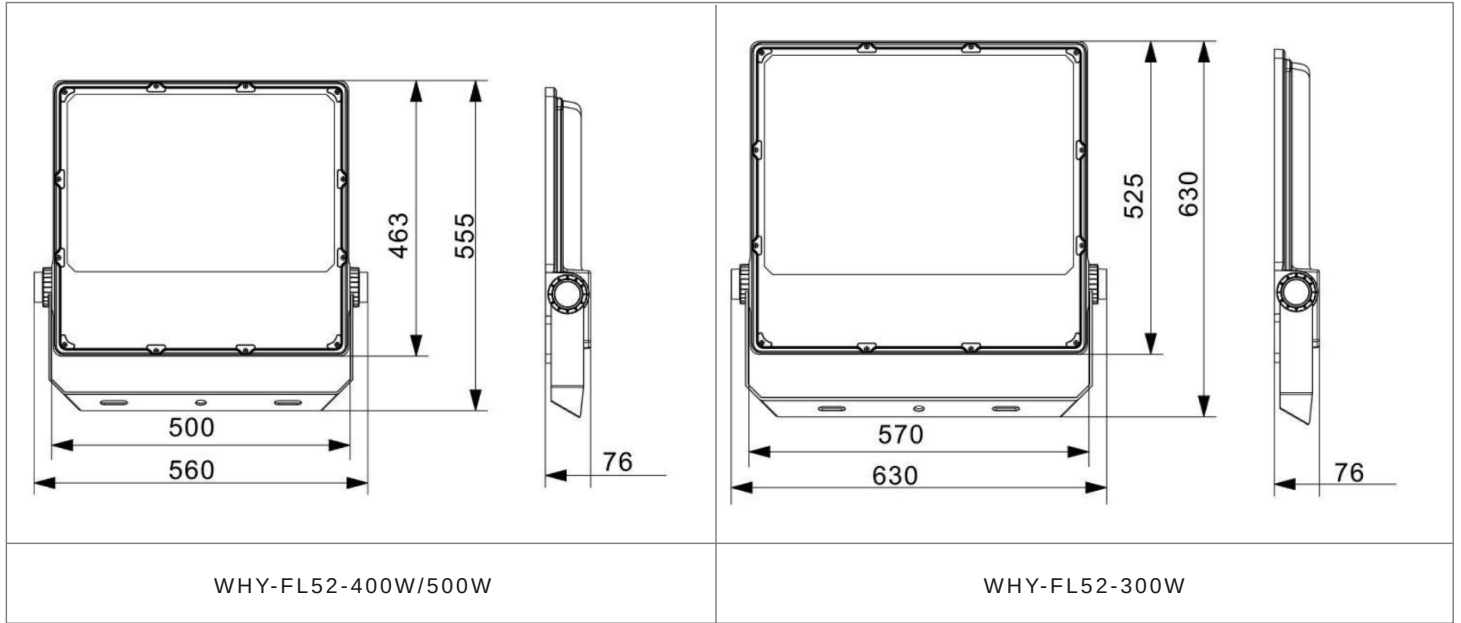
Mode	Wattage	Luminous Efficacy	Size
WHY-FL52-30W	30W	160lm/W (170lm/W @120°)	198*162*42mm
WHY-FL52-50W	50W	160lm/W (170lm/W @120°)	230*256*48mm
WHY-FL52-80W	80W	160lm/W (170lm/W @120°)	300*256*53mm
WHY-FL52-100W	100W	160lm/W (170lm/W @120°)	300*256*53mm
WHY-FL52-120W	120W	160lm/W (170lm/W @120°)	300*306*53mm
WHY-FL52-150W	150W	160lm/W (170lm/W @120°)	301*306*53mm
WHY-FL52-200W	200W	160lm/W (170lm/W @120°)	350*316*53mm
WHY-FL52-250W	250W	160lm/W (170lm/W @120°)	400*377*58mm
WHY-FL52-300W	300W	160lm/W (170lm/W @120°)	400*377*58mm
WHY-FL52-400W	400W	160lm/W (170lm/W @120°)	560*463*76mm
WHY-FL52-500W	500W	160lm/W (170lm/W @120°)	560*463*76mm
WHY-FL52-600W	600W	160lm/W (170lm/W @120°)	630*526*76mm

TECHNICAL SPECIFICATIONS

CCT	3000K/4000K/5000K/5700K/6500K
CRI	Ra≥80
Input Voltage	100-277VAC
Housing Color	Black
Housing Material	ADC12
Lens	30°/60°/90°/120°/TYPE II /TYPE III /TYPE IV
Operating Temperature	-30°C to +45°C
IP Level	IP66
Lifespan	50,000 hours
Warranty	5years

DIMENSION (MM)

	
<p>WHY-FL52-30W</p>	<p>WHY-FL52-50W</p>
	
<p>WHY-FL52-80W/100W</p>	<p>WHY-FL52-120W/150W</p>
	
<p>WHY-FL52-200W</p>	<p>WHY-FL52-250W/300W</p>



APPLICATION PLACES

Architecture

Industrial area

Factory

Gym

Garden

Sea port