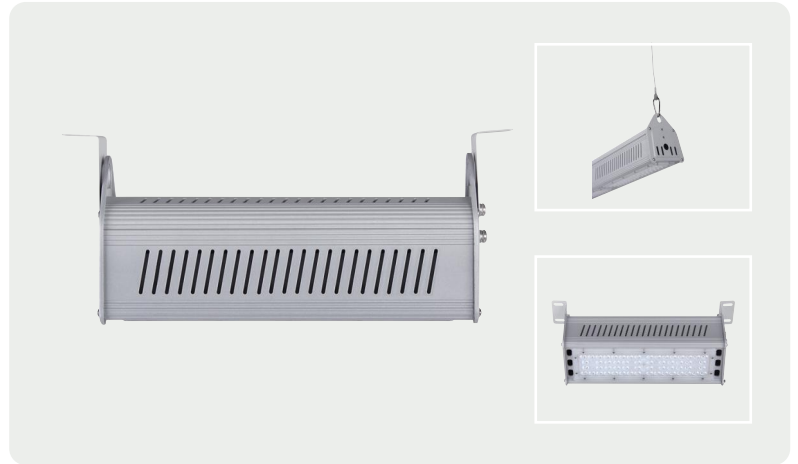


INDUSTRIAL / HIGH BAY

LED High Bay Light

WHY-HL22 Series

A linear LED high bay luminaire covering 50W to 500W at 150 LM/W, housed in a slim ADC12 aluminium and PC profile with IP65 protection. Six beam distributions spanning 60° to 90° X 140° asymmetric patterns, optional photosensor and microwave control, and a 100° adjustable tilt bracket make it a highly versatile solution for warehouses, retail, sports, and commercial interiors.



KEY FEATURES



150LM/W High-Efficacy Output

Delivers 150LM/W luminous efficacy across all power levels, optimised for energy cost reduction in large commercial and industrial spaces.



High-Transmittance PC Diffuser

Premium polycarbonate diffuser maximises light output uniformity, eliminating dark spots for consistent illumination across large floor areas.



100° Adjustable Tilt Bracket

Integrated tilt bracket adjustable up to 100° allows precise beam aiming across varied mounting conditions and interior layouts.



Sensor-Ready Smart Control

Compatible with optional photocell and microwave motion sensor controls for automated, occupancy-responsive energy management.



5-YEAR WARRANTY

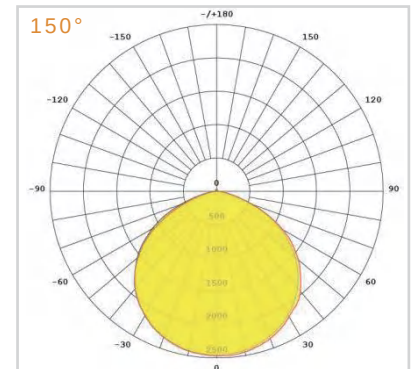
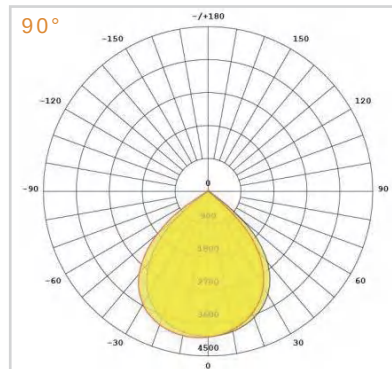
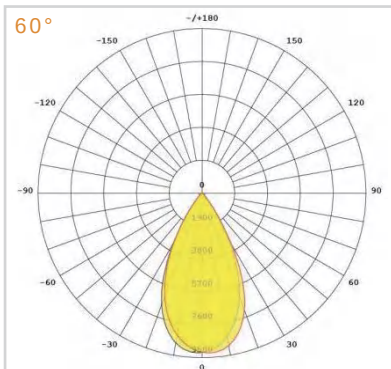
Comprehensive 5-year product warranty on driver and fixture for dependable long-term operation

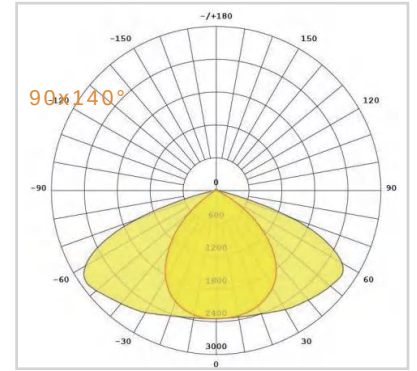
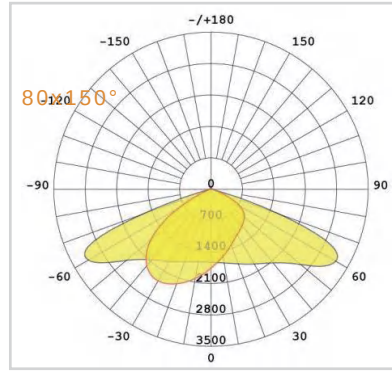
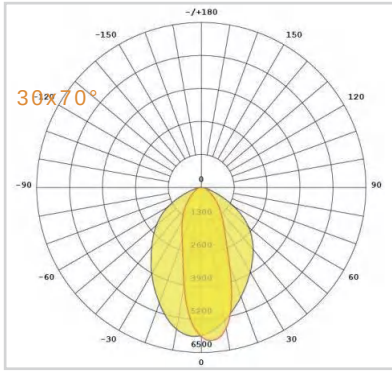


Six Beam Distributions

Offers 60°, 90°, 150°, 30x70°, 80x150°, and 90x140° beam options - including asymmetric patterns for aisle, shelf, and specialist task lighting.

BEAM DISTRIBUTION





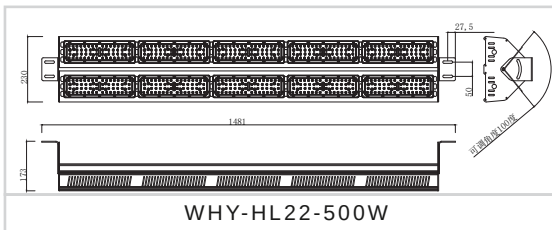
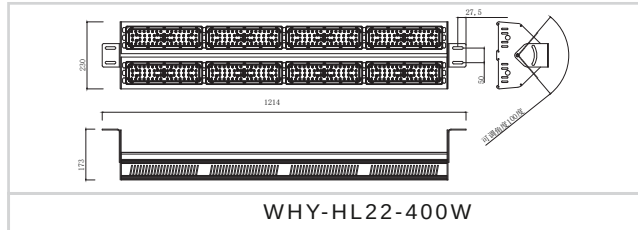
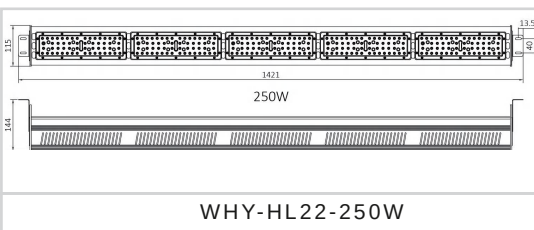
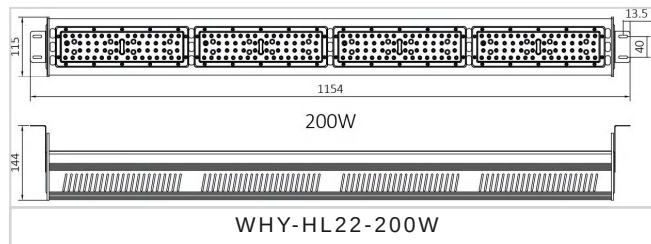
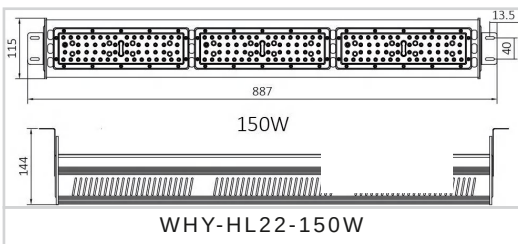
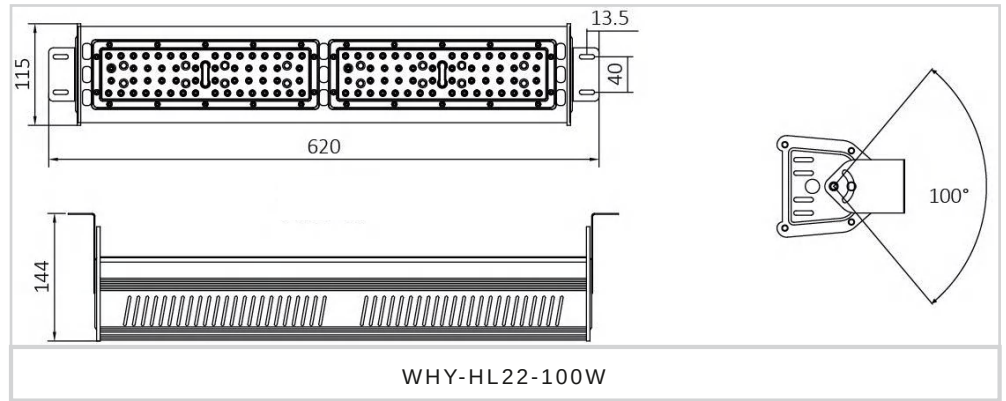
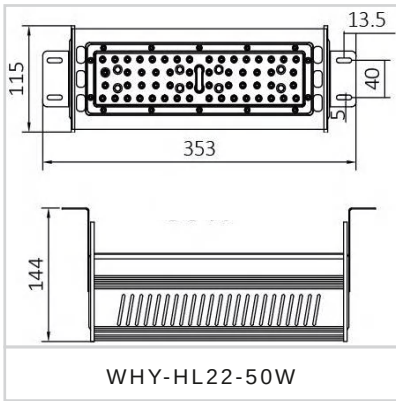
MODEL VARIANTS

Mode	Wattage	Luminous Efficacy	Size
WHY-HL22-50W	50W	150lm/W	353*115*144mm
WHY-HL22-100W	100W	150lm/W	620*115*144mm
WHY-HL22-150W	150W	150lm/W	887*115*144mm
WHY-HL22-200W	200W	150lm/W	1154*115*144mm
WHY-HL22-250W	250W	150lm/W	1421*115*144mm
WHY-HL22-400W	400W	150lm/W	887*115*173mm
WHY-HL22-500W	500W	150lm/W	887*115*173mm

TECHNICAL SPECIFICATIONS

CCT	3000K/4000K/5000K/5700K/6500K
CRI	Ra≥70 (Ra≥80 optional)
Input Voltage	100-277 VAC
Housing Color	Sliver
Housing Material	Aluminum(ADC12), PC
Operating Temperature	-30°C to +45°C
IP Grade	IP65
Lifespan	500,000 hours
Warranty	5years

DIMENSION (MM)



APPLICATION PLACES

- Warehouses
- Libraries
- Workshops
- Shopping malls
- Supermarkets
- Shops
- Restaurants
- Sports centers
- Cinemas
- Hospitals
- Clothing stores
- Bars