

INDUSTRIAL / Yard Lighting

LED Yard Light

WHY-6110 Series - Coach Lantern / Modular

A modular LED yard luminaire with an integrated die-cast aluminium housing and ultra-clear tempered-glass panels. It uses professional secondary light distribution and an independently sealed modular structure, and carries dual CE and ETL (Intertek) certification with an IP65 rating - well suited to gardens, villas and outdoor landscape lighting, including export-oriented commercial projects.



30W 40W 55W

KEY FEATURES



Ultra-clear tempered glass

The ultra-clear tempered panel offers high transmittance with impact and weather resistance, fully restoring source brightness and protecting the internal LEDs.



Professional secondary optics

Precise optical beam-splitting design produces uniform distribution that effectively reduces glare for a more comfortable lighting effect.



CE + ETL (Intertek) certified

Dual CE and ETL Intertek certification meets European and North-American export standards, giving confidence for commercial and foreign-trade procurement.



Die-cast aluminium body

The all-aluminium die-cast body provides fast heat conduction and dissipation, with corrosion and deformation resistance for a sturdy, durable structure.



Independently sealed module

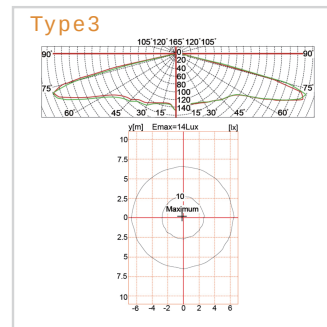
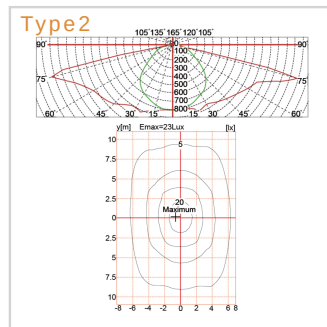
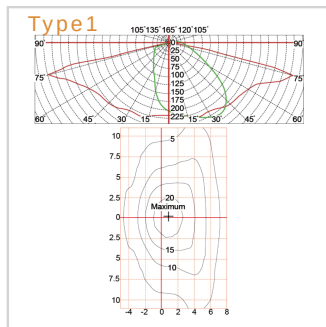
The split-type sealed module offers strong waterproof and dustproof performance; a single failed unit can be replaced individually, lowering maintenance costs.



IP65 high-level protection

Meeting the IP65 dust and water standard, it resists heavy rain and dust for stable use in open-air settings such as parks and roads.

BEAM DISTRIBUTION



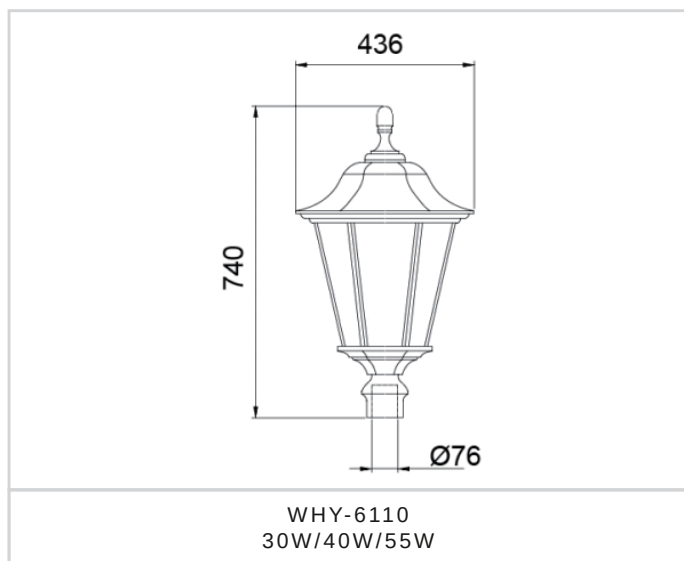
MODEL VARIANTS

Mode	Wattage	Luminous Efficacy	Size
WHY-6110-30W	30W	110lm/W	436*740*76mm
WHY-6110-40W	40W	110lm/W	436*740*76mm
WHY-6110-55W	55W	110lm/W	436*740*76mm

TECHNICAL SPECIFICATIONS

CCT	3000-6000K
CRI	CRI≥70
LED Quantity	16/20/24
Diffuser	Ultra-clear tempered glass
Certification	CE · ETL (Intertek)
Housing Material	Die-cast aluminum
Ingress Protection	IP65
Rated Lifespan	L70 ≥ 50,000 h
Warranty	5 years

DIMENSION (MM)



APPLICATION PLACES

Garden

Courtyard

Landscape

Car park

Park

villa