

INDUSTRIAL / Ceiling Lighting

LED Ceiling Light

WHY-CS101 Series

A slim rectangular IP66-rated LED ceiling luminaire covering 10W to 40W, delivering 130-140LM/W from a PC base with anti-glare PC diffuser ($\geq 85\%$ transmittance). Ltech/Beko certified drivers, optional microwave sensing and emergency backup, and a non-dismantling snap-fit bracket make it suited to cold storage, parking structures, factories, and any environment requiring IP66-rated, maintenance-efficient illumination.



KEY FEATURES



IP66-Rated PC Body

Polycarbonate base with inherent flame resistance and corrosion-resistant properties provides a fully IP66-sealed enclosure for demanding wet and dusty environments.



IP66 Tri-Proof Protection

IP66 dust and water ingress protection - rated above the typical IP65 tri-proof standard- ensures reliable operation in the most demanding cold storage, industrial, and outdoor installations.



Ltech / Beko Certified Driver

Certified Ltech or Beko power supply paired with high-brightness 2835 LED beads delivers stable, long-life performance and reliable operation.



Anti-Glare PC Diffuser ($\geq 85\%$ Transmittance)

PC anti-glare face shield achieves $\geq 85\%$ light transmittance, delivering soft, comfortable illumination without discomfort glare.



Microwave Sensing & Emergency Options

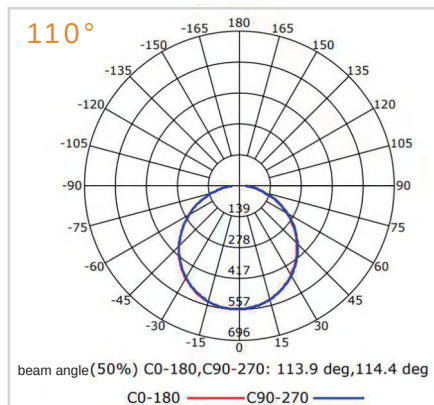
Optional microwave induction, dimming sensing, and inductive switch functions for smart energy management. Emergency backup available on request.



Non-Dismantling Snap-Fit Bracket

Integrated snap-fit installation bracket enables rapid, tool-free mounting with no loose components, significantly reducing on-site labour time.

BEAM DISTRIBUTION



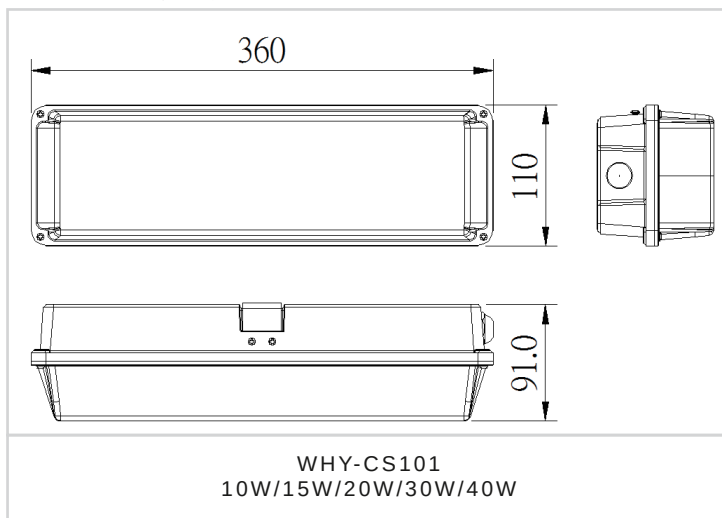
MODEL VARIANTS

Mode	Wattage	Luminous Efficacy	Size
WHY-CS101-10W	10W	140lm/W	360*110*91mm
WHY-CS101-15W	15W	140lm/W	360*110*91mm
WHY-CS101-20W	20W	140lm/W	360*110*91mm
WHY-CS101-30W	30W	140lm/W	360*110*91mm
WHY-CS101-40W	40W	130lm/W	360*110*91mm

TECHNICAL SPECIFICATIONS

CCT	3000K/4000K/5000K/6000K/6500K
CRI	CRI>80
Input Voltage	220~240V
LED lifespan	≥50000Hours
Power Factor	>0.5 / >0.9
Operating Temperature	-20 C ~ +35 C , 10% ~ 90%RH
IP Level	IP66

DIMENSION (MM)



APPLICATION PLACES

