

INDUSTRIAL / Street Light

LED Street Light

WHY-SL05 Series

A premium LED street light covering 30W to 200W, delivering 170-200 lm/W luminous efficacy from a compact die-cast ADC12 aluminium housing. IP66 + IK08-rated dual sealing, a $\pm 15^\circ$ adjustable bracket, and a tool-free snap-lock maintenance system make it a high-performance, low-lifecycle-cost solution for municipal and infrastructure lighting.



KEY FEATURES



High-Efficiency Performance

Premium LEDs and drivers deliver 170-200LM/W luminous efficacy (200LM/W available as an option), substantially reducing long-term energy expenditure.



$\pm 15^\circ$ Adjustable Mounting

Adjustable bracket accommodates varying pole types and installation angles. Aerodynamic curved housing resists dust accumulation with a passive self-cleaning effect.



IP66 + IK08 Dual Protection

Dual-sealed with precision lens and toughened glass, providing dust, water, and impact resistance for reliable operation in demanding outdoor environments.



Ergonomic Bracket System

Streamlined bracket design simplifies fixture handling, positioning, and installation, improving overall construction efficiency.



Ultra-Thin Optical Design

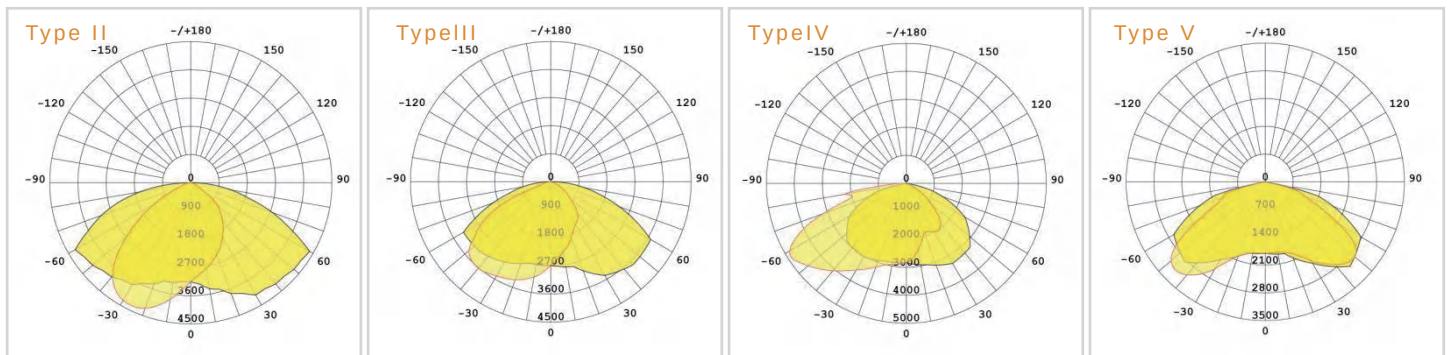
Low-profile housing avoids light obstruction while the integrated lens achieves broad, uniform road illumination with no dark spots.



Tool-free quick maintenance

Snap-lock design allows full disassembly and servicing without tools, minimising maintenance time and on-site labour costs.

BEAM DISTRIBUTION



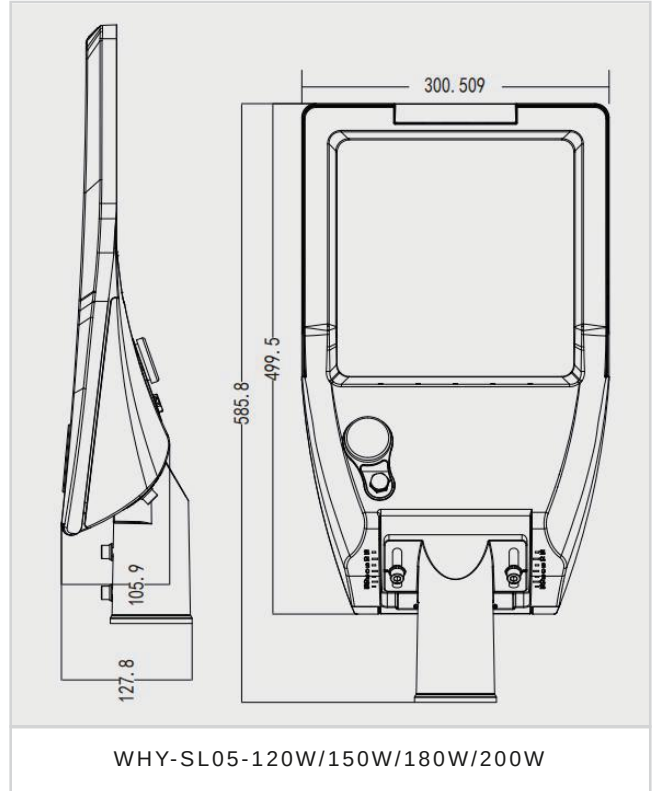
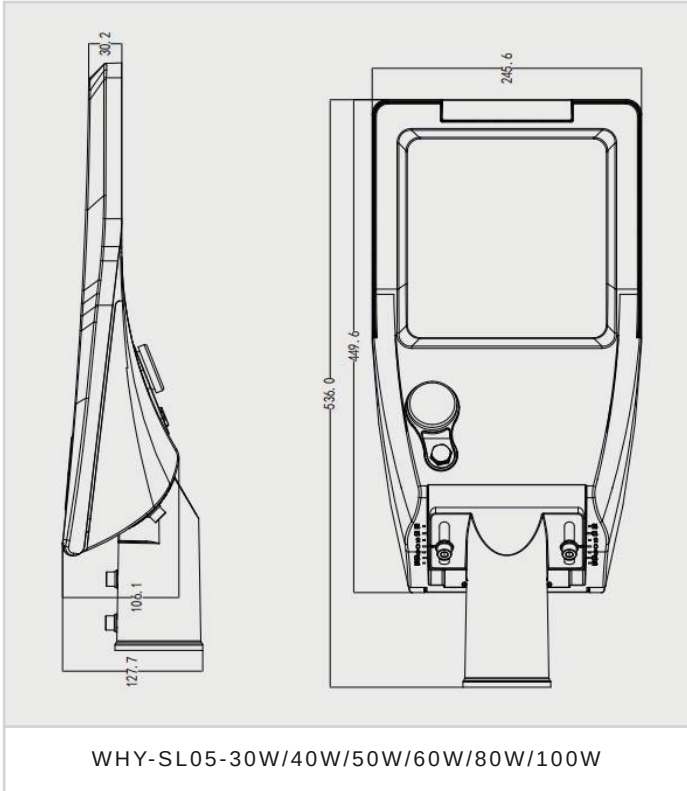
MODEL VARIANTS

Mode	Wattage	Luminous Efficacy	Size
WHY-SL05-30W	30W	170lm/W (200lm/W optional)	536*246*128mm
WHY-SL05-40W	40W	170lm/W (200lm/W optional)	536*246*128mm
WHY-SL05-50W	50W	170lm/W (200lm/W optional)	536*246*128mm
WHY-SL05-60W	60W	170lm/W (200lm/W optional)	536*246*128mm
WHY-SL05-80W	80W	170lm/W (200lm/W optional)	536*246*128mm
WHY-SL05-100W	100W	170lm/W (200lm/W optional)	536*246*128mm
WHY-SL05-120W	120W	170lm/W (200lm/W optional)	586*300*128mm
WHY-SL05-150W	150W	170lm/W (200lm/W optional)	586*300*128mm
WHY-SL05-180W	180W	170lm/W (200lm/W optional)	586*300*128mm
WHY-SL05-200W	200W	170lm/W (200lm/W optional)	586*300*128mm

TECHNICAL SPECIFICATIONS

CCT	3000K/4000K/5000K/5700K/6500K
CRI	Ra>70
PF	>0.9
Input Voltage	100-277VAC
Housing Color	Gtry
Housing Material	Aluminum(ADC12), lens + tempered glass
Lens	Type II /Type III /Type IV /Type V
Operating Temperature	-30°C to +45°C
IP Level	IP66
Lifespan	50,000 hours
Warranty	5years

DIMENSION (MM)



APPLICATION PLACES

- Street
- Road
- Stadium
- Highway
- Bridge
- Garden
- Sport yard
- Parking