

INDUSTRIAL / Canopy Light

LED Canopy Light

WHY-CL275/350 Series

A slim LED canopy luminaires designed for indoor and sheltered commercial environments. Available in two housing sizes - 275mm and 350mm - they deliver up to 130LM/W efficacy with built-in microwave occupancy sensing, three-level auto-dimming, and optional emergency backup power. IP65 + IK08-rated construction and a CRI \geq 80 output make them well suited to high-traffic spaces where reliability and visual comfort are priorities.



KEY FEATURES



Universal Voltage Compatibility

Accepts 100-277 VAC at 50/60Hz with no installation restrictions, suitable for deployment across diverse power supply environments.



Easy to install and maintain

Designed for fast installation with fully automated operation, eliminating the need for routine manual maintenance.



Emergency power supply

Support emergency function, capable of continuous operation for 3 hours after a power outage, ensuring critical lighting



Microwave Induction Dimming

Integrated microwave radar detects occupancy and supports three-level automatic dimming- full brightness on presence, reduced output on departure -for intelligent energy management.



IP65 + IK08 Dual Protection

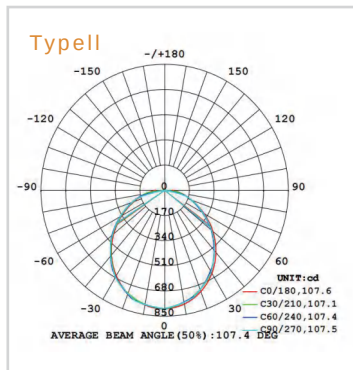
Aluminium alloy construction with IP65 dust and water ingress protection and IK08 impact resistance, suited to high-traffic public areas and demanding environments.



Optional Dimming

Dimming functionality available as an option to support enhanced energy-saving control strategies.

BEAM DISTRIBUTION



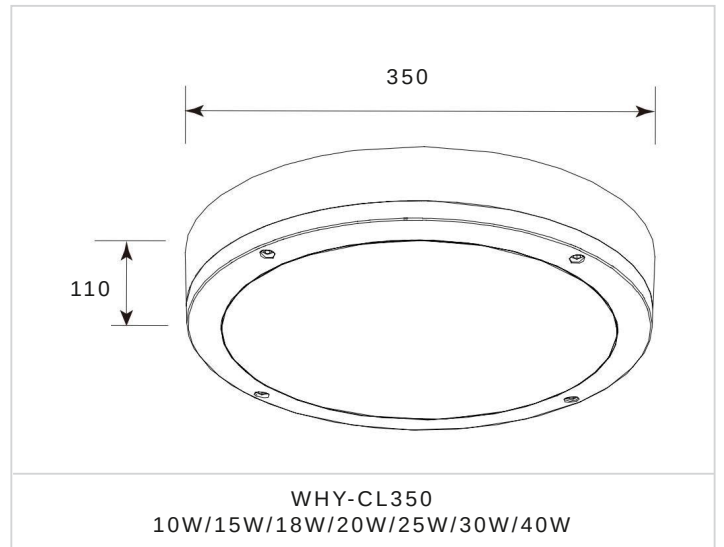
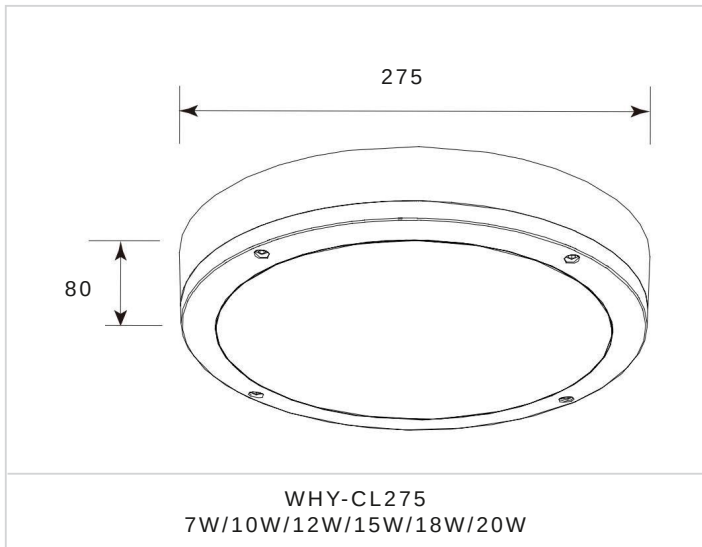
MODEL VARIANTS

Mode	Wattage	Luminous Efficacy	Size
WHY-CL275-7W	7W	120lm/W	275*275*80mm
WHY-CL275-10W	10W	120lm/W	275*275*80mm
WHY-CL275-12W	12W	130lm/W	275*275*80mm
WHY-CL275-15W	15W	130lm/W	275*275*80mm
WHY-CL275-18W	18W	130lm/W	275*275*80mm
WHY-CL275-20W	20W	130lm/W	275*275*80mm
WHY-CL350-10W	10W	130lm/W	350*350*110mm
WHY-CL350-15W	15W	130lm/W	350*350*110mm
WHY-CL350-18W	18W	130lm/W	350*350*110mm
WHY-CL350-20W	20W	130lm/W	350*350*110mm
WHY-CL350-25W	25W	130lm/W	350*350*110mm
WHY-CL350-30W	30W	130lm/W	350*350*110mm
WHY-CL350-40W	40W	130lm/W	350*350*110mm

TECHNICAL SPECIFICATIONS

CCT	3000K/4000K/5000K/5700K/6500K
CRI	CRI≥80
Input Voltage	AC220-240V
Housing Color	White Black Grey
IP Level	IP65
Dimmable	Optional
Warranty	3 or 5 years

DIMENSION (MM)



APPLICATION PLACES

Living room

Bedroom

Corridor

Classroom

Office

Stairwell