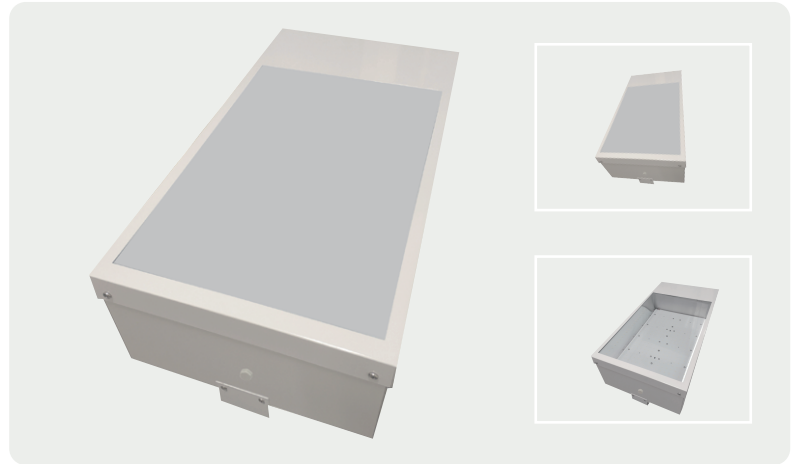


INDUSTRIAL / Canopy Lighting

LED Canopy Light

WHY-L01/L04 Series

A premium LED canopy luminaire covering 40W to 120W at 110 LM/W, built around a cold-rolled steel housing with heavy-duty epoxy powder coating, a high-purity aluminium reflector, and 5mm toughened glass diffuser. MEANWELL or LIFUD drivers, CRI>90 colour accuracy, and an extruded aluminium radiator with cooling valve system make it suited to warehouses, factories, and commercial canopy applications requiring precise, long-life illumination.



KEY FEATURES



Extruded Aluminium Radiator with Cooling Valve

Dedicated extruded aluminium heat sink paired with an innovative cooling valve system delivers controlled junction temperatures and extended fixture service life.



5MM Toughened Glass Diffuser

Impact-resistant, shatter-proof 5mm toughened glass provides safe, durable light diffusion with high light transmittance for canopy and industrial environments.



Cold-Rolled Steel Housing with Epoxy Coating

Heavy-duty cold-rolled steel body with corrosion and impact-resistant epoxy powder coating ensures robust long-term outdoor durability.



High-Purity Aluminium Reflector

Precision high-purity aluminium reflector significantly increases luminous efficiency, delivering more uniform and efficient light distribution across the illuminated area.



MEANWELL / LIFUD Driver

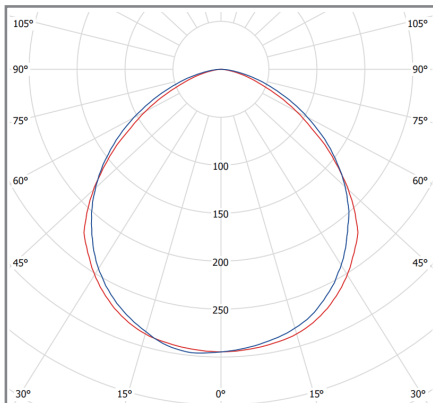
Premium MEANWELL or LIFUD drivers provide stable, reliable power with a power factor of 0.95 for efficient, flicker-free operation



Tool-Free Installation Bracket

Specially designed mounting bracket enables rapid, tool-free installation, minimising on-site labour time across both the L01 and L04 housing sizes.

BEAM DISTRIBUTION



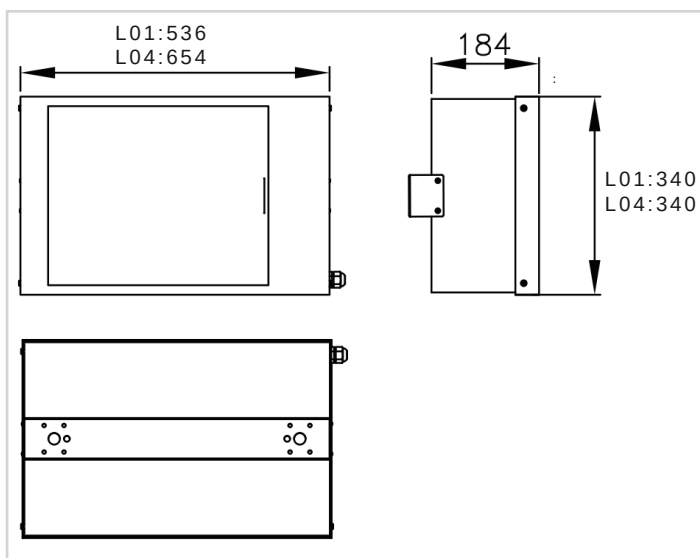
MODEL VARIANTS

Mode	Wattage	Luminous Efficacy	Size
WHY-L01-40W	40W	110lm/W	536*340*184mm
WHY-L01-60W	60W	110lm/W	536*340*184mm
WHY-L04-80W	80W	110lm/W	654*340*184mm
WHY-L04-100W	100W	110lm/W	654*340*184mm
WHY-L04-120W	120W	110lm/W	654*340*184mm

TECHNICAL SPECIFICATIONS

CCT	3000K/4000K/6000K
CRI	CRI≥90
Input Voltage	AC100-240V
Driver	MEANWELL/LIFUD
Power Factor	0.95
Operating Temperature	-25°C to +50°C
IP Level	IP54

DIMENSION (MM)



APPLICATION PLACES

Warehouse

Factory