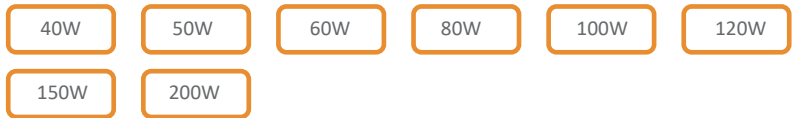


INDUSTRIAL / Street Light

LED Street Light

WHY-SL30 Series

A multi-certified LED street light covering 40W to 200W, built around an aerodynamic cobra-head housing rated for wind loads up to 35m/s. Delivering 150LM/W and TM21-certified for over 63,000 hours, it combines IP66 + IK09 dual protection with a 0-20° adjustable connector and tool-free buckle-lock installation. Certified to ROHS, CE, ENEC, CB, UL, DLC, and NOM standards for global compliance.



KEY FEATURES



Multi-Standard International Certification

Holds ROHS, CE, ENEC, CB, UL, DLC, and NOM certifications, confirming compliance with major international quality and safety standards for global deployment.



Storm-Rated Cobra Head Design

Aerodynamic cobra-head housing with integrated selfcleaning structure withstands wind loads up to 35m/s, purpose-built for sustained outdoor reliability.



IP66 + IK09 Dual Protection

Dual-sealed with precision lens and toughened glass, with an independent thermal management system maintaining controlled junction temperatures for consistent long-term output.



High-Efficiency Performance

Premium LEDs and drivers achieve 140-160LM/W luminous efficacy, delivering significant energy savings over the product's service life.



Ultra-long lifespan

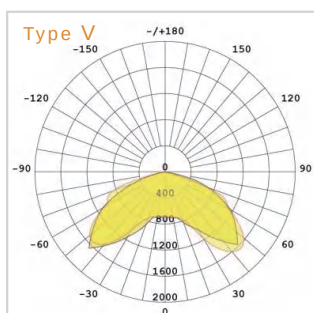
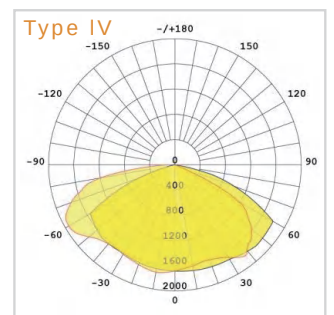
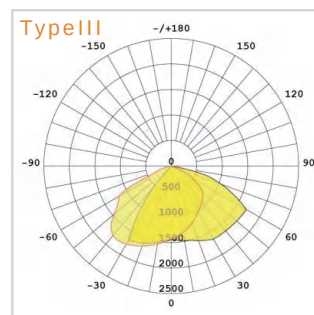
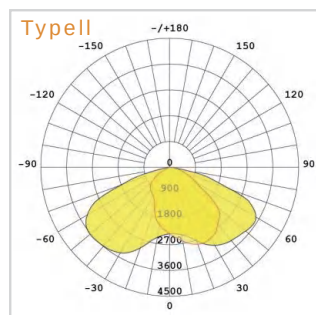
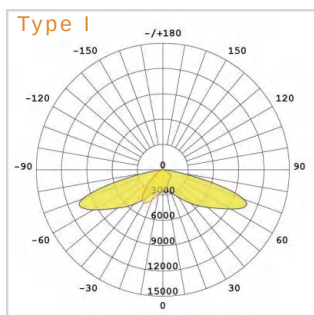
The power supply and light source are independently sealed in dual compartments, ensuring safety and efficiency; the TM21 certification guarantees a lifespan of over 63,000 hours



Flexible and easy to maintain

Buckle-lock design enables rapid wiring without tools. 0-20° adjustable connector supports varied mounting angles, custom lens configurations, and intelligent control integration.

BEAM DISTRIBUTION



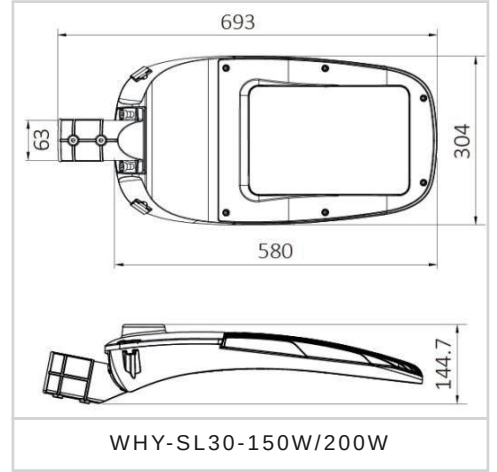
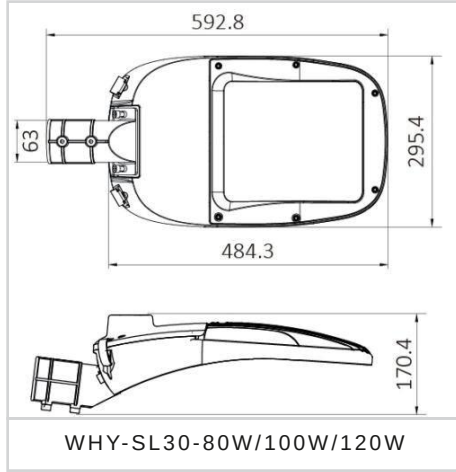
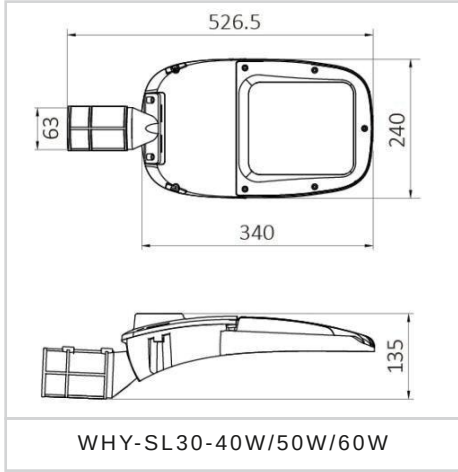
MODEL VARIANTS

Mode	Wattage	Luminous Efficacy	Size
WHY-SL30-40W	40W	150lm/W	527*240*135mm
WHY-SL30-50W	50W	150lm/W	527*240*135mm
WHY-SL30-60W	60W	150lm/W	527*240*135mm
WHY-SL30-80W	80W	150lm/W	593*295*170mm
WHY-SL30-100W	100W	150lm/W	593*295*170mm
WHY-SL30-120W	120W	150lm/W	593*295*170mm
WHY-SL30-150W	150W	150lm/W	693*304*145mm
WHY-SL30-200W	200W	150lm/W	693*304*145mm

TECHNICAL SPECIFICATIONS

CCT	3000K/4000K/5000K/5700K/6500K
CRI	Ra ≥ 70
Input Voltage	100-277VAC
Housing Color	Light Silver
Housing Material	Aluminum(ADC12), lens+temper glass
Lens	TypeI/TypeII /TypeIII /TypeIV /TypeV
Operating Temperature	-30°C to +45°C
IP Level	IP66
Lifespan	50,000 hours
Warranty	5 or 7 years

DIMENSION (MM)



APPLICATION PLACES

- Street
- Road
- Stadium
- Highway
- Bridge
- Sport yard
- Parking