

INDUSTRIAL / Ceiling Lighting

LED Ceiling Light

WHY-CS25/126/127 Series

Are slim IP65 round LED ceiling luminaires available in three housing diameters - 355 mm, 300 mm, and 265mm - covering 10W to 40W at 120LM/W. Full PC construction with stainless steel buckles, Lifud/Bike certified drivers, optional microwave sensing, and emergency battery backup make them well suited to bathrooms, cold storage, parking structures, and any environment requiring IP65-rated, maintenance-free illumination.



KEY FEATURES



Full PC Body with Stainless Steel Buckles

Entire lamp body in corrosion-resistant PC material with stainless steel stainless steel retention buckles ensures weather resistance and durability in outdoor and humid environments.



IP65 Tri-Proof Protection

IP65 dust, water, and corrosion-resistant rating provides reliable protection across bathrooms, cold storage, parking structures, corridors, and outdoor installations.



Lifud /Bike Certified Driver

Certified Lifud or Bike power supply paired with high-brightness 2835 LED beads delivers stable performance and extended service life.



Dual Diffuser Options (≥85% Transmittance)

Available in fully transparent or opalescent diffuser finishes, both achieving ≥ 85% light transmittance for versatile aesthetic and photometric requirements.



Microwave Sensing & Emergency Options

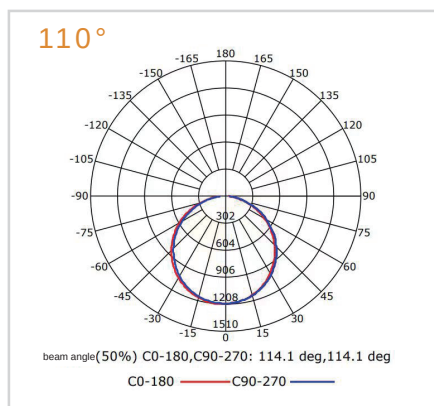
Optional 5.8 GHz microwave, switch, or dimming sensing for smart control. Emergency backup available in 3W/3H and 5W/3H configurations with lithium or Ni-Cd battery.



Tool-Free Maintenance

Snap-fit design enables full servicing and lamp replacement without tools, reducing on-site labour costs.

BEAM DISTRIBUTION



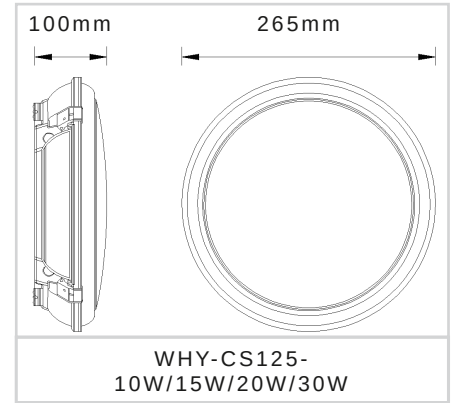
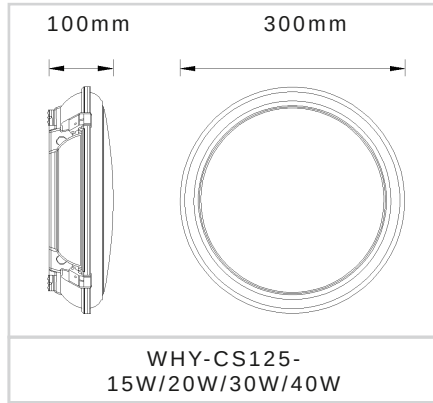
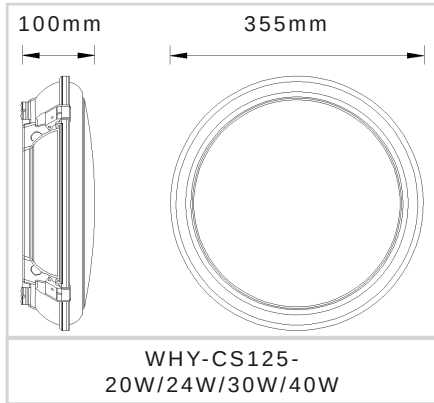
MODEL VARIANTS

Mode	Wattage	Luminous Efficacy	Size
WHY-CS125-20W	20W	120lm/W	355*100mm
WHY-CS125-24W	24W	120lm/W	355*100mm
WHY-CS125-30W	30W	120lm/W	355*100mm
WHY-CS125-40W	40W	120lm/W	355*100mm
WHY-CS126-15W	15W	120lm/W	300*100mm
WHY-CS126-20W	20W	120lm/W	300*100mm
WHY-CS126-30W	30W	120lm/W	300*100mm
WHY-CS126-40W	40W	120lm/W	300*100mm
WHY-CS127-10W	10W	120lm/W	265*100mm
WHY-CS127-15W	15W	120lm/W	265*100mm
WHY-CS127-20W	20W	120lm/W	265*100mm
WHY-CS127-30W	30W	120lm/W	265*100mm

TECHNICAL SPECIFICATIONS

CCT	3000K/4000K/5000K/6000K/6500K
CRI	CRI>80
Lamp body material	PC
Induction function	5.8GHz microwave sensing/switch sensing/dimming sensing (optional)
Emergency function	5W3H/3W3H lithium battery/nickel-cadmium battery (optional)
Input Voltage	220~240V
LED lifespan	≥50000Hours
Power Factor	>0.5 / >0.9
Operating Temperature	-20℃ ~ +35℃
IP Level	IP65

DIMENSION (MM)



APPLICATION PLACES

Cold storage

Gas stations

Factory floors

Parking lots

Office buildings

Shopping malls

Supermarkets

Schools

Hospitals

Municipal

Engineering projects

Homes